

# New Interconnected Deadbolts to Complement the Push Pull Rotate Product Line

- ANSI Grade 2
- Single Locking & Double Locking
- 3 Hour Fire Rated
- Lifetime Mechanical Warranty, 10 Year Finish Warranty



## Interconnected Deadbolts

### Harper



Interior View

Item #	List Price	Case Qty	Name	Function	Finish
SF23251-119	\$210.00	6	Harper	Single Locking	SATIN NICKEL
SF23212-119	\$230.00	6	Harper	Double Locking	SATIN NICKEL
SF23251-150	\$210.00	6	Harper	Single Cylinder	TUSCAN BRONZE
SF23212-150	\$230.00	6	Harper	Double Locking	TUSCAN BRONZE

### Alwood



Interior View

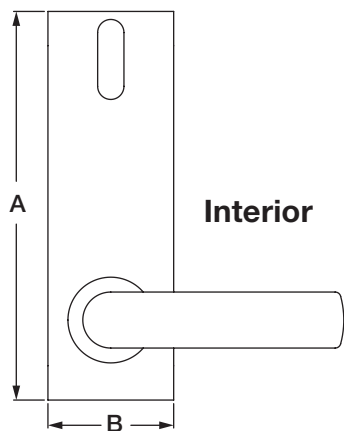
Item #	List Price	Case Qty	Name	Function	Finish
SF23252-119	\$210.00	6	Alwood	Single Locking	SATIN NICKEL
SF23213-119	\$230.00	6	Alwood	Double Locking	SATIN NICKEL
SF23252-150	\$210.00	6	Alwood	Single Cylinder	TUSCAN BRONZE
SF23213-150	\$230.00	6	Alwood	Double Locking	TUSCAN BRONZE

## Specifications & Options

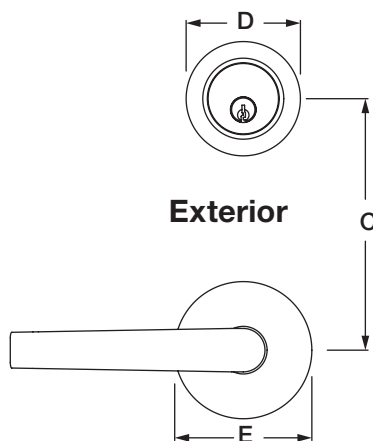
ANSI Grade:	Meets Grade 2 standards
Cylinder:	KW1 and SC1, 5 pin
Keying:	KD or as specified, master key, construction key available
Latch:	Adjustable 2-3/8" or 2-3/4", 1" throw, steel
Strike:	2-3/4" x 1-1/8" square corner and 2-1/4" round corner full lip
Door Preparation:	Cross bore 2-1/8", edge bore 1", 1" x 2-1/4" latch mortises, backset 2-3/8" or 2-3/4"
Door Thickness:	1-3/8" to 1-3/4"
Handing:	Reversible
Chassis:	Tubular (lever portion)
Fire Rating:	3 Hour UL rated
Center to Center:	5-1/2"
Outside Trim:	Lever with return

## Dimensions

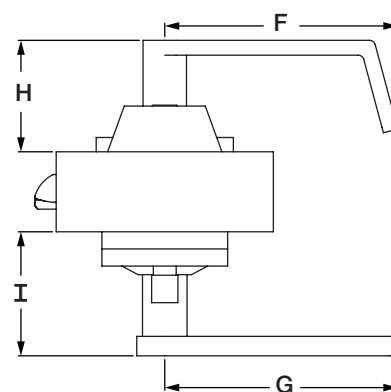
Styles	A(in)	B(in)	C(in)	D(in)	E(in)	F(in)	G(in)	H(in)	I(in)
Alwood	8.58	2.75	5.50	2.56	3.00	5.00	4.13	2.50	2.72
Harper	8.58	2.75	5.50	2.56	3.00	5.00	4.11	2.50	2.40



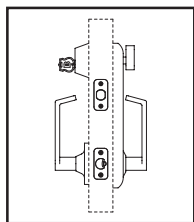
Interior



Exterior

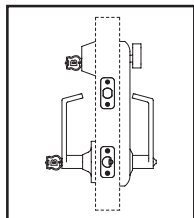


## Functions & Operation



### Entry Single Locking

Deadbolt operated by key outside or thumbturn inside. Latch bolt retracted by lever from either side. Turning inside lever retracts deadbolt and latch bolt simultaneously for immediate exit.



### Entry Double Locking

Deadbolt operated by key outside or thumbturn inside. Outside lever unlocked by key from outside when locked by turn button on inside lever. Latch bolt retracted by lever from either side. Turning inside lever retracts deadbolt and latch bolt simultaneously for immediate exit.