



INSTALLATION & OPERATION INSTRUCTIONS FOR PUSH PULL ROTATE HANDLESETS

FOR BRINKS HOME SECURITY™ PUSH PULL ROTATE ENTRY DOOR HANDLESETS.


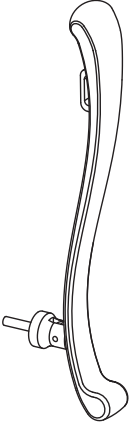

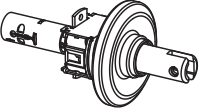











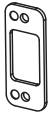


FITS DOORS 1-3/8" (35 mm) TO 1-3/4" (45 mm) THICK.

999-00340E_EN

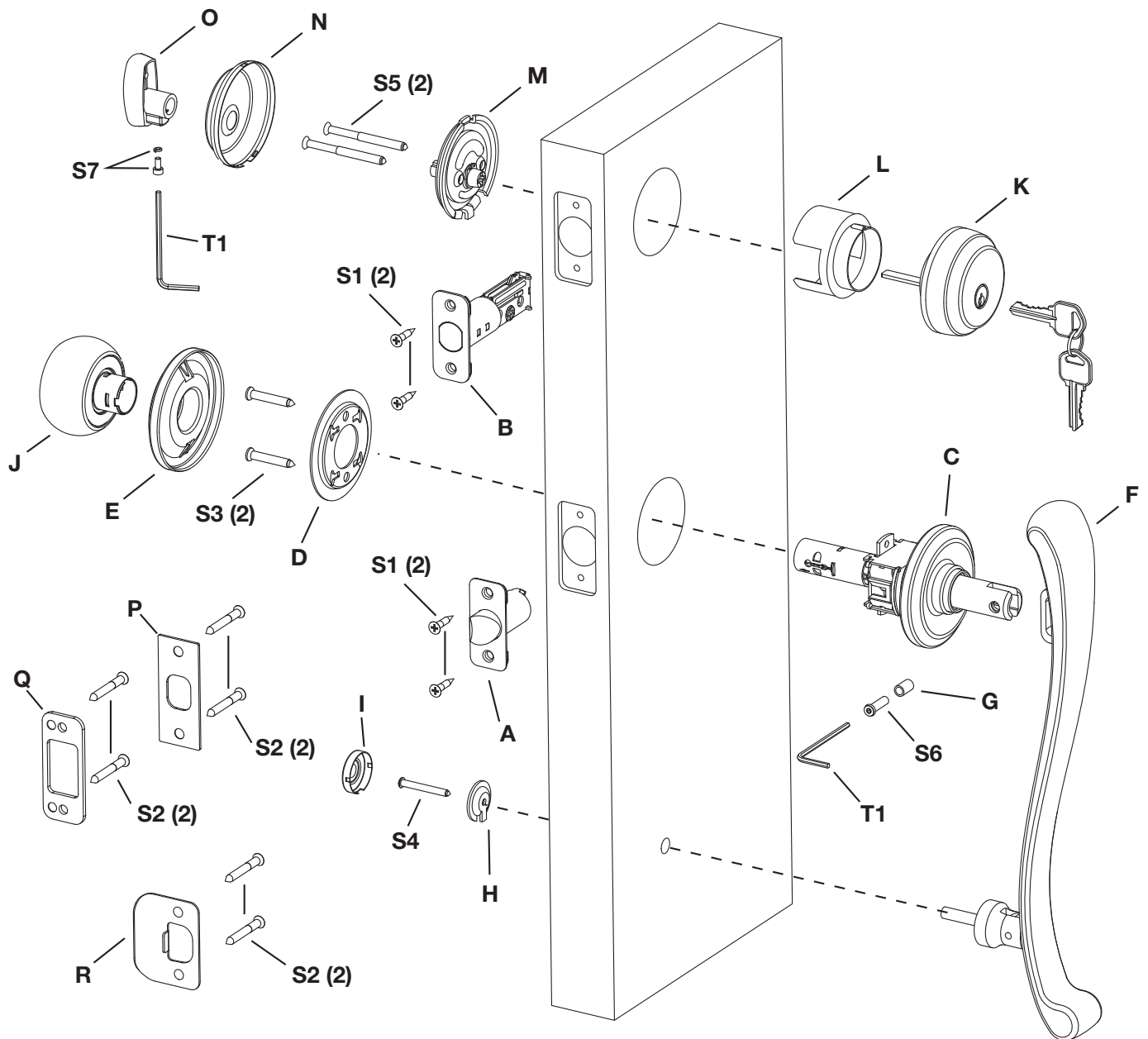


WORKS ONLY FOR IN-SWINGING DOORS. SEE STEP 2.


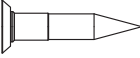









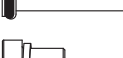


HANDLESET COMPONENT LISTING

- | | | | |
|---|-------------------------------------|---|-----------------------------|
|  | — A - Handle Latch |  | — F - Handle Assembly |
|  | — B - Deadbolt Latch | | |
|  | — C - Main Lock Body | | |
|  | — D - Main Lock Body Mounting Plate |  | — G - Bushing |
|  | — E - Inside Knob Rose |  | — H - Washer |
|  | — I - Screw Cover |  | — N - Cover Plate |
|  | — J - Knob |  | — O - Thumbturn |
|  | — K - Outside Cylinder Housing |  | — P - Deadbolt Strike Plate |
|  | — L - Anti-Pry Shield |  | — Q - Reinforcement Plate |
|  | — M - Thumbturn Mounting Plate |  | — R - Handle Strike Plate |

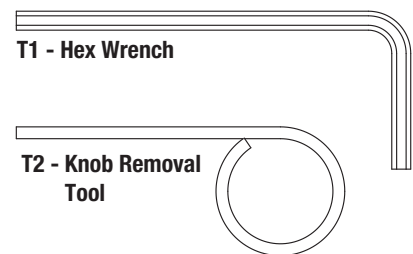
QUESTIONS? CALL 1-800-562-5625 FOR HELP.



SCREWS

- S1 Latch Screws (4)  
- S2 Strike Plate Screws (6)  
- S3 Main Lock Body Machine Screws (2)  
- S4 Lower Handle Machine Screw (1)  
- S5 Deadbolt Machine Screws (2)  
- S6 Handle Pivot Bolt (with O-Ring) (1)  
- S7 Thumbturn Screw (1) & Lockwasher (1)  

TOOLS



**QUESTIONS?
CALL 1-800-562-5625
FOR HELP.**



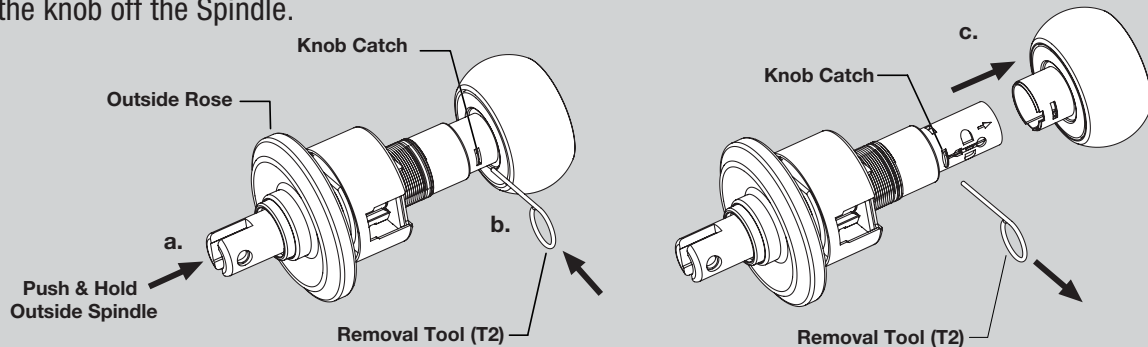
INSTALLATION & OPERATION INSTRUCTIONS FOR PUSH PULL ROTATE™ HANDLESETS

FOR BRINKS HOME SECURITY™ PUSH PULL ROTATE™ ENTRY DOOR HANDLESETS.

**FOR NEW INSTALLATIONS, SEE DOOR PREPARATION INSTRUCTION 999-00339E_EN.
FOR REPLACEMENT INSTALLATIONS, PROCEED TO STEP 1.**

**INSIDE KNOB REMOVAL: IF YOU PUT THE INSIDE KNOB ON THE CHASSIS BEFORE
INSTALLING ON YOUR DOOR, FOLLOW THESE STEPS:**

- While holding the Outside Rose, push the Outside Spindle to expose the Knob Catch on the Inside Knob Spindle.
- Push the Removal Tool (T2) against the Knob Catch to depress it.
- Slide the knob off the Spindle.

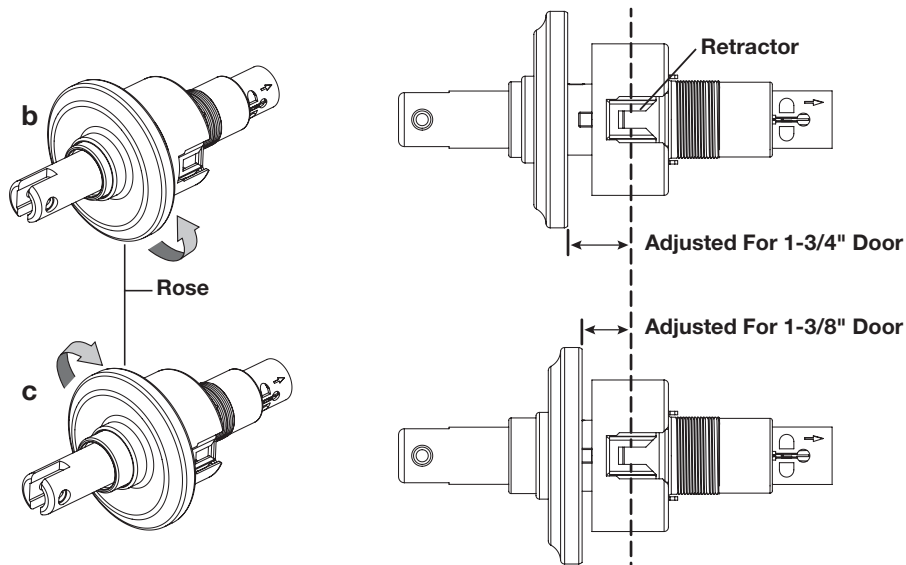


STEP 1



IMPORTANT! : ADJUST FOR DOOR THICKNESS

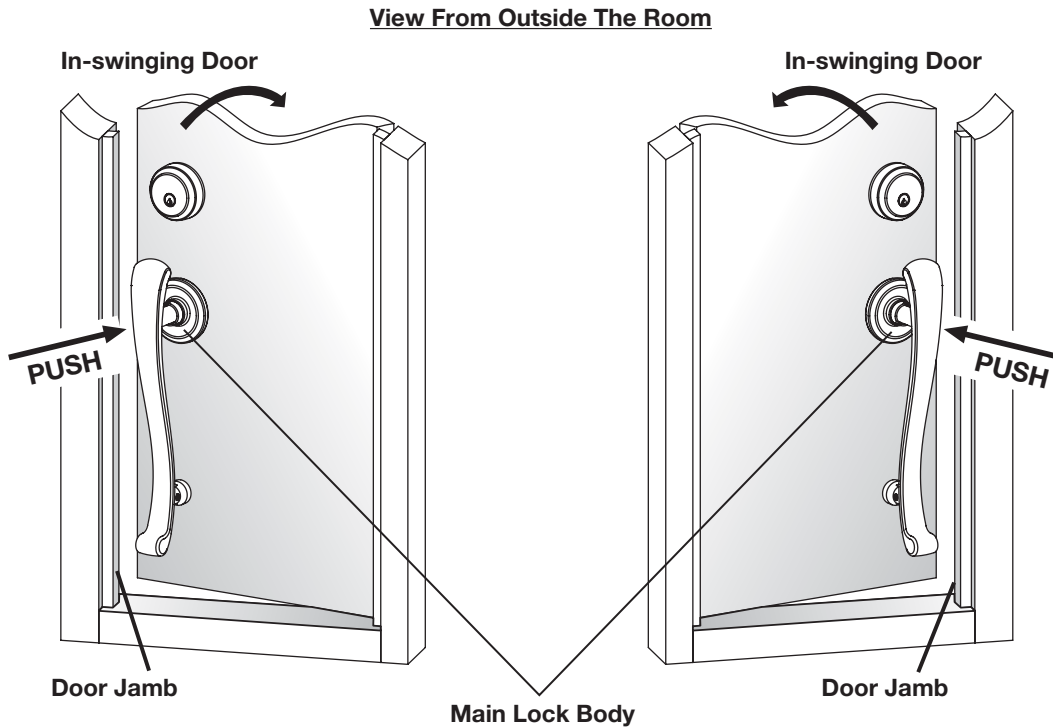
- Measure your door thickness. It should be 1-3/8" (35mm) or 1-3/4" (45mm). If in between these numbers, round to the nearest of those two thicknesses.
- For 1-3/4" doors, rotate the Rose on the Main Lock Body counterclockwise (towards the slot in the spindle) until it stops. Then rotate back about a quarter turn.
- For 1-3/8" doors, rotate the Rose on the Main Lock Body clockwise (towards the Retractor) until it stops. Then rotate back about a quarter turn.
- The purpose of this is to make sure that the Latch Tail will be approximately centered in the Retractor when installed.



STEP 2

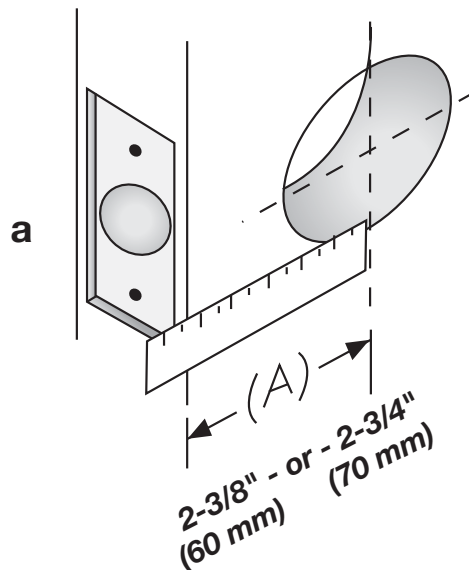
NOTE : INSTALL ON IN-SWINGING DOORS ONLY!

- a. For Push-Pull-Rotate Handlesets, the Handle Assembly is intended to go on the outside of the door.
- b. Therefore, the Push-Pull-Rotate Handleset can only be installed on doors that "push" open into rooms (In-Swinging doors.)

**STEP 3**

BACKSET: ADJUST THE DEADBOLT LATCH (B) AND SELECT THE CORRECT HANDLE LATCH (A)

Backset is the distance from door edge to center of hole on door face. (See Illustration) The Deadbolt Latch (B) can be adjusted to fit either a 2-3/8" (60 mm) or a 2-3/4" (70 mm) backset. The Deadbolt Latch (B) is pre-set to 2-3/8".



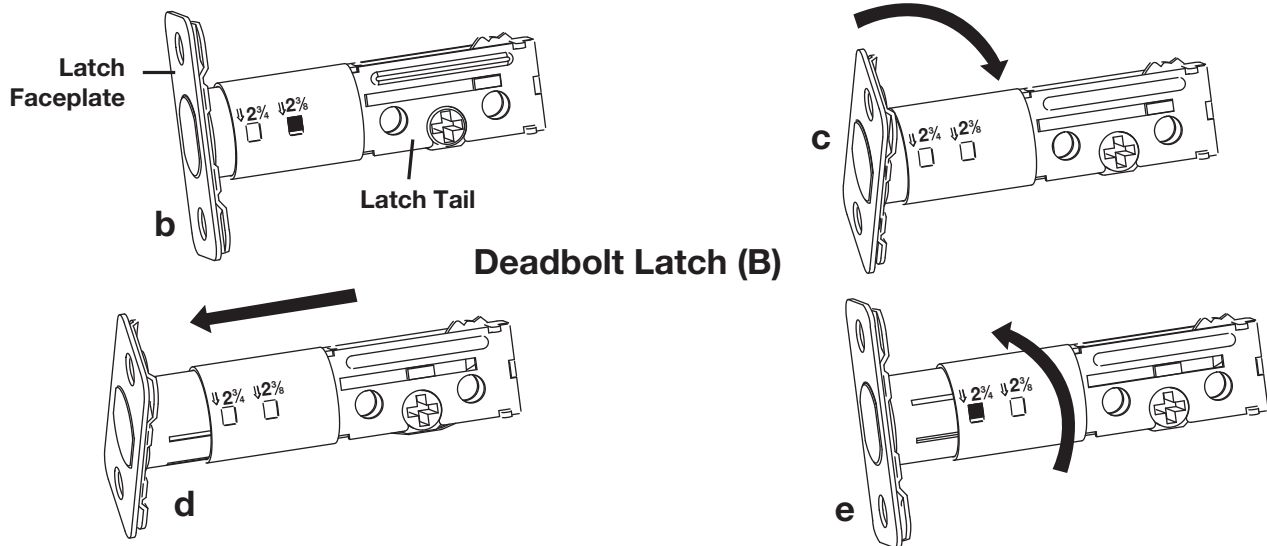
STEP 3**BACKSET: ADJUST THE DEADBOLT LATCH (B) AND SELECT THE CORRECT HANDLE LATCH (A) (CONTINUED)****Adjust the Deadbolt Latch (B)**

To adjust the backset from 2-3/8" to 2-3/4":

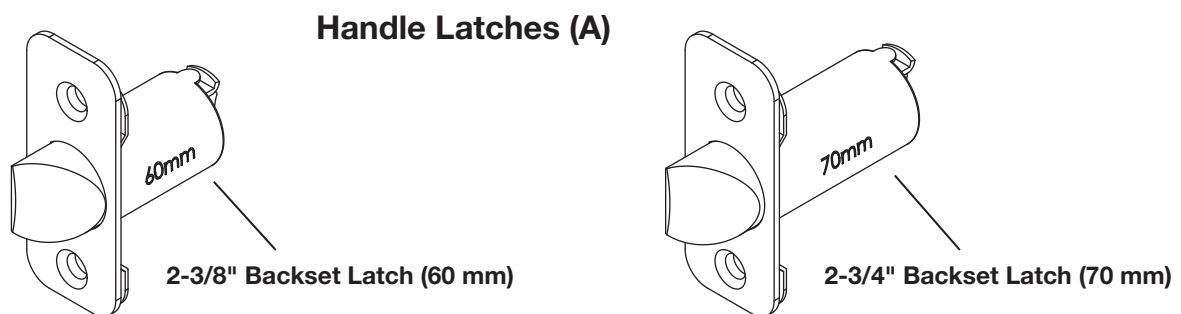
- Retract the latch bolt.
- Hold the Latch Faceplate in the left hand and the Latch Tail in the right hand.
- Twist the Latch Faceplate clockwise (towards you) about 1/8 turn.
- Pull the Latch Faceplate out towards the left until it stops.
- Rotate counterclockwise back into position so that the locking notch is engaged in the hole marked 2-3/4".

To adjust the backset from 2-3/4" to 2-3/8":

- Retract the latch bolt.
- Hold the Latch Faceplate in the left hand and the Latch Tail in the right hand.
- Twist the Latch Faceplate clockwise (towards you) about 1/8 turn.
- While pressing on end of bolt, push the Latch Faceplate in towards the right until it stops.
- Rotate counterclockwise back into position so that the locking notch is engaged in the hole marked 2-3/8".

**Select the Correct Handle Latch (A)**

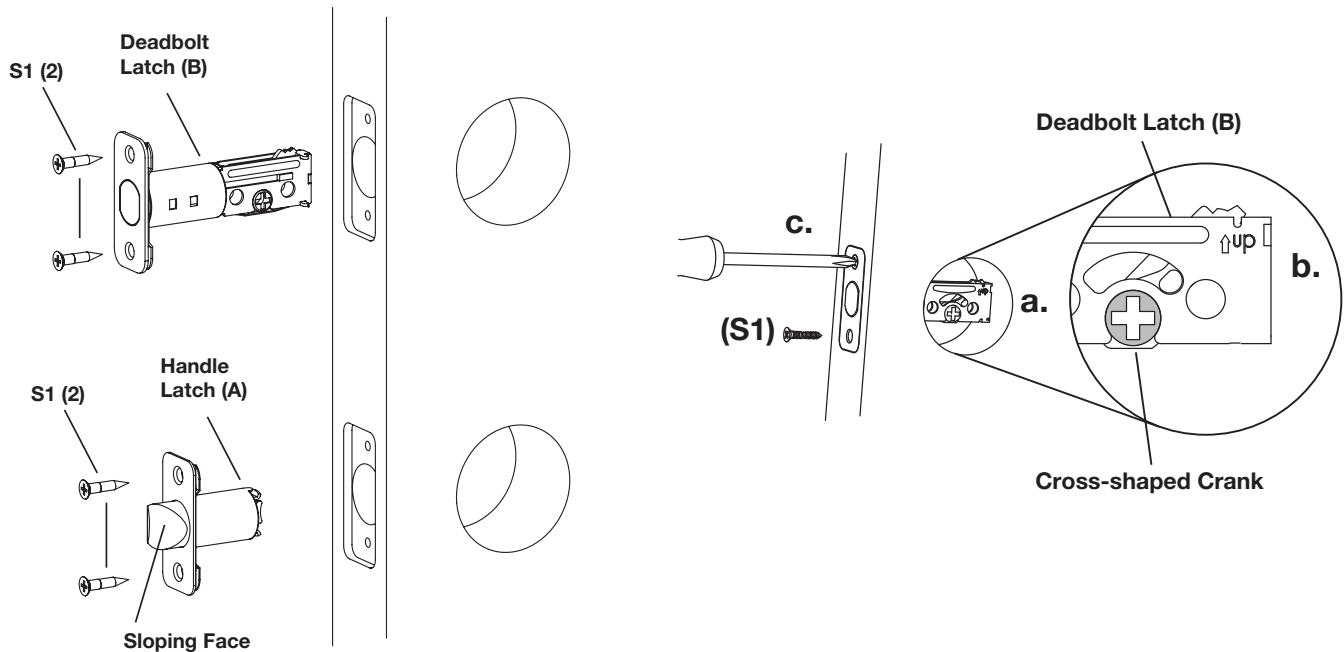
- Select the 2-3/8" (60mm) or 2-3/4" (70mm) latch based on the backset of your door. (Most residential doors have a 2-3/8" backset.)



STEP 4 DEADBOLT LATCH AND HANDLE LATCH INSTALLATION

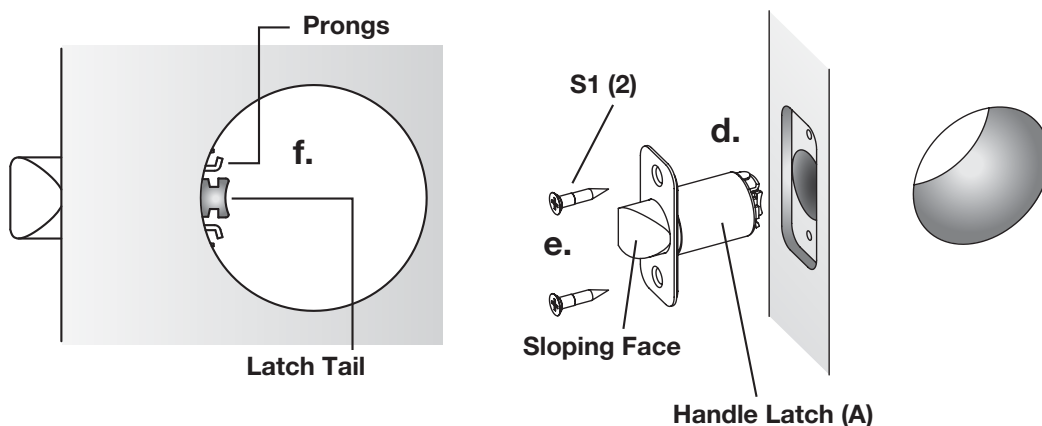
Deadbolt Latch (B) Installation

- a. Insert the Deadbolt Latch (B) into the 1" (25.4mm) hole in the door edge as shown.
- b. Install Deadbolt Latch (B) into the hole in the edge of the door in the "UP" position as marked on the latch with the "Cross" Shaped Crank at the bottom.
- c. Insert two (S1) Latch Screws through the holes in the faceplate and tighten firmly.



Handleset Latch (A) Installation

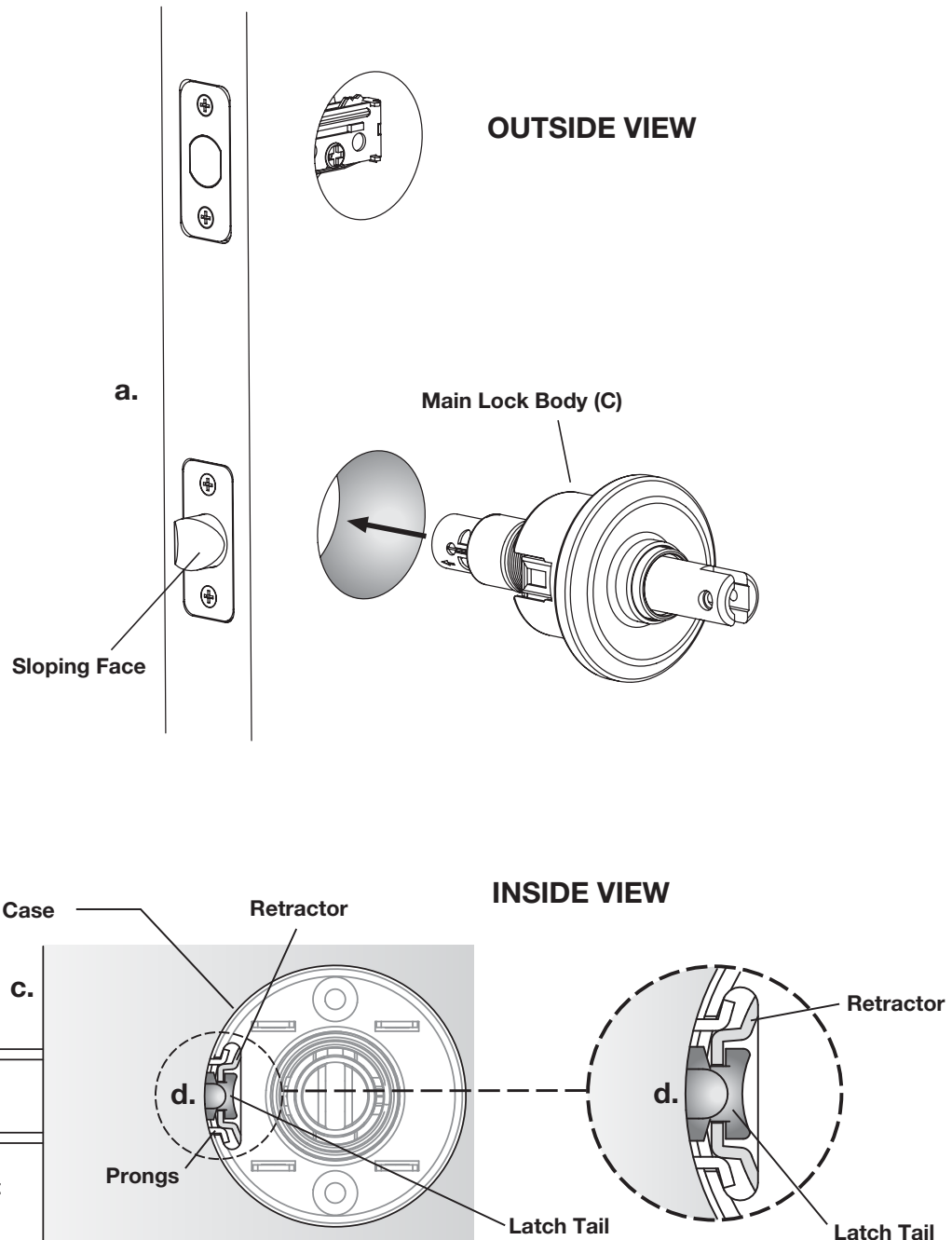
- d. Insert the Handle Latch (A) into the 1" (25.4mm) hole in the door edge as shown. Be sure the sloping face of the latch bolt is facing towards the door jamb.
- e. Insert two (S1) Latch Screws in the faceplate holes and tighten.
- f. After installation, you should be able to see the Latch Prongs and Latch Tail(s) through the 2-1/8" bore in the door as shown. If not, review **Step 3f. Select Correct Handle Latch.**



STEP 5 INSTALL THE MAIN LOCK BODY

Note: The sloping face of the latch bolt always faces the door jamb and the Main Lock Body (C).

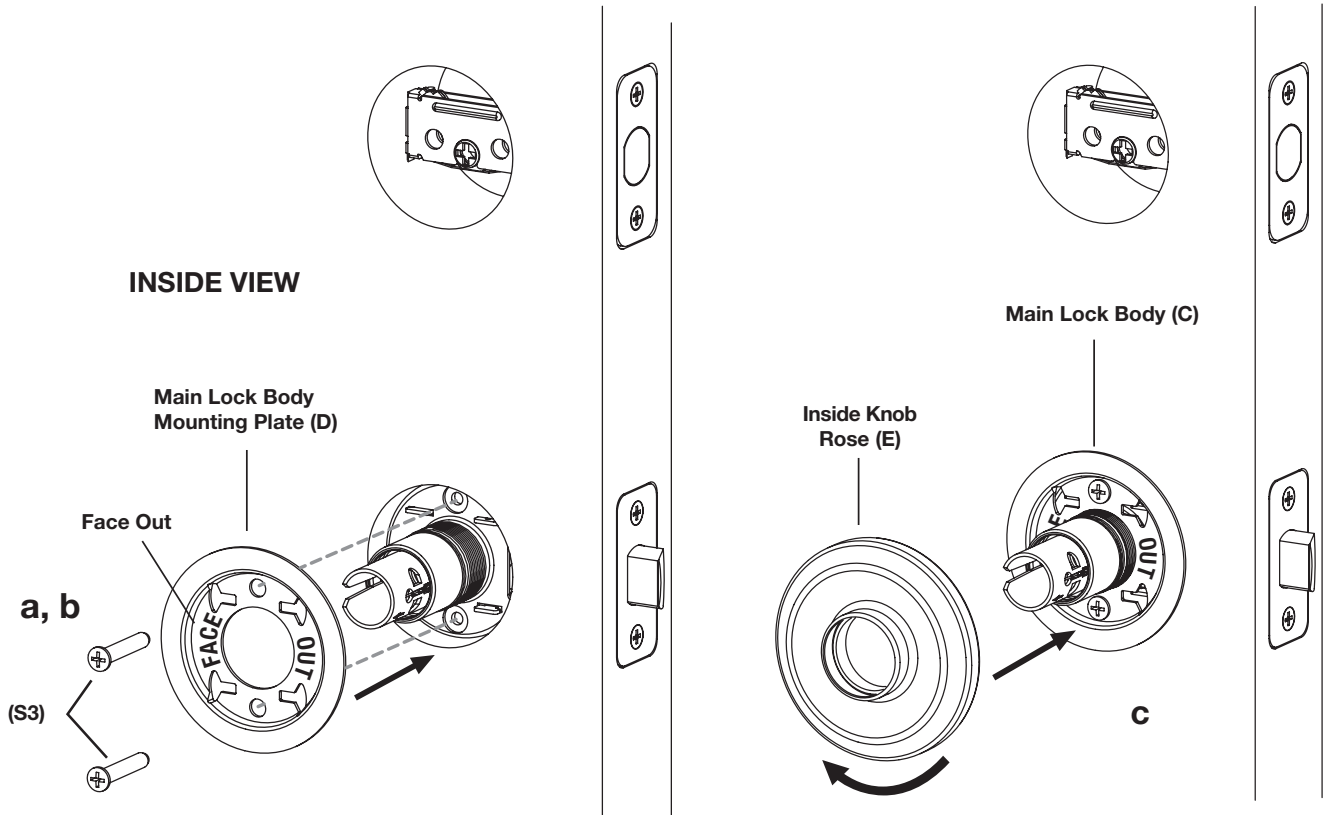
- a. Insert the Main Lock Body (C) through the 2-1/8" (54mm) hole in the door.
- b. Look through the hole from the inside of the door to guide the Main Lock Body.
- c. Make sure that the Cylindrical Case engages with the Latch Prongs and the Retractor interlocks with the Latch Tail.
- d. Test by pushing the Outside Spindle - the bolt should retract.



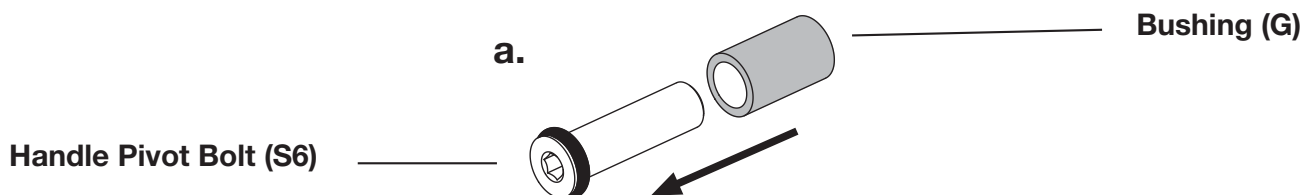
STEP 6**INSTALL THE MAIN LOCK BODY MOUNTING PLATE AND INSIDE ROSE**

Note: The sloping face of the latch bolt always faces the door jamb and the Main Lock Body (C).

- Place the Main Lock Body Mounting Plate (D) over the spindle of Main Lock Body (C) with the words 'FACE OUT' visible. Position the plate against the door face with the mounting holes aligned vertically.
- Insert the two (S3) Main Lock Body Machine Screws and engage the threaded holes in the Main Lock Body (C). Tighten firmly.
- Install the Inside Rose (E) by engaging the thread on the Main Lock Body (C) and rotating clockwise until it contacts the door face.

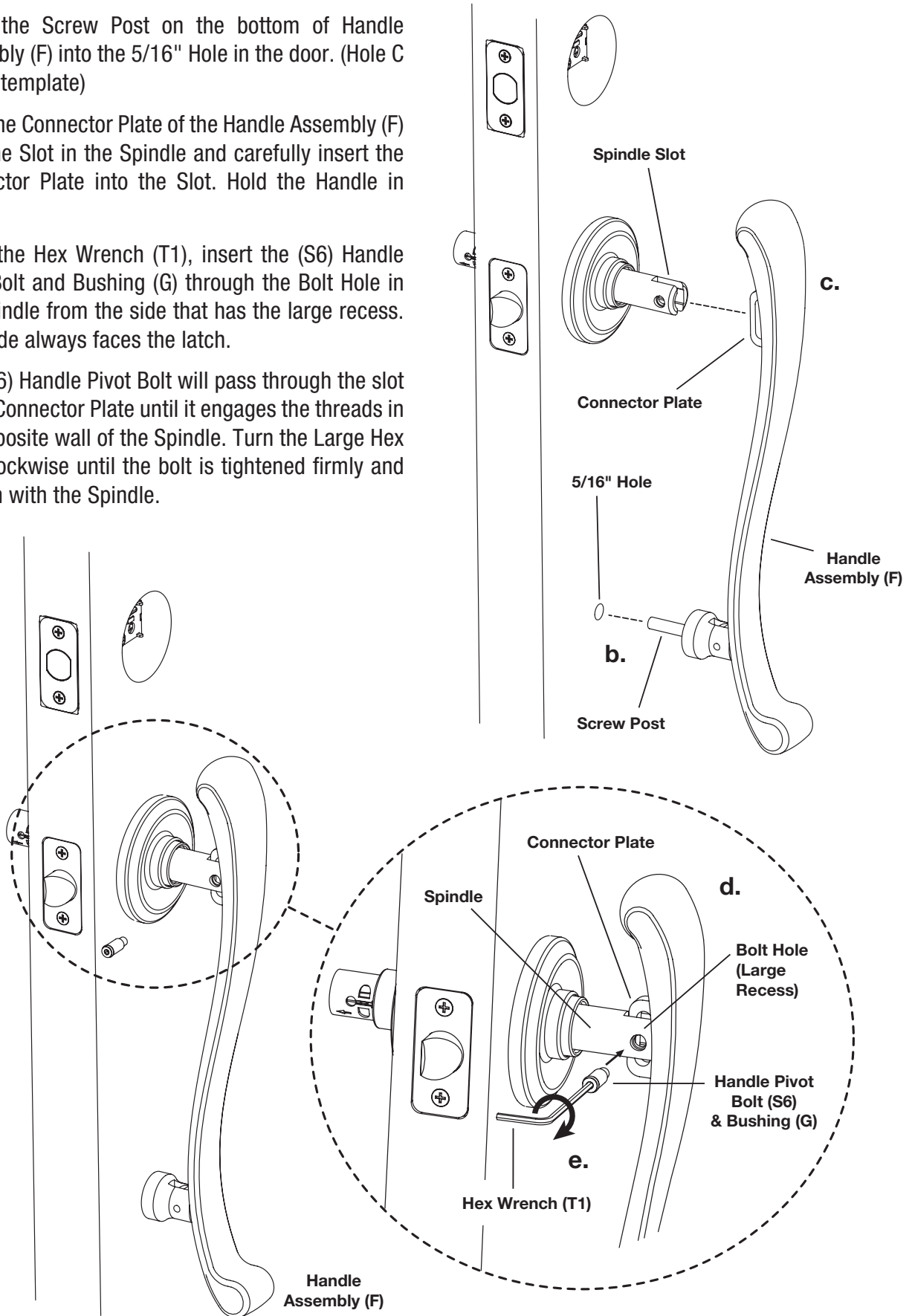
**STEP 7****INSTALL HANDLE ASSEMBLY**

- Install Bushing (G) onto the (S6) Handle Pivot Bolt.



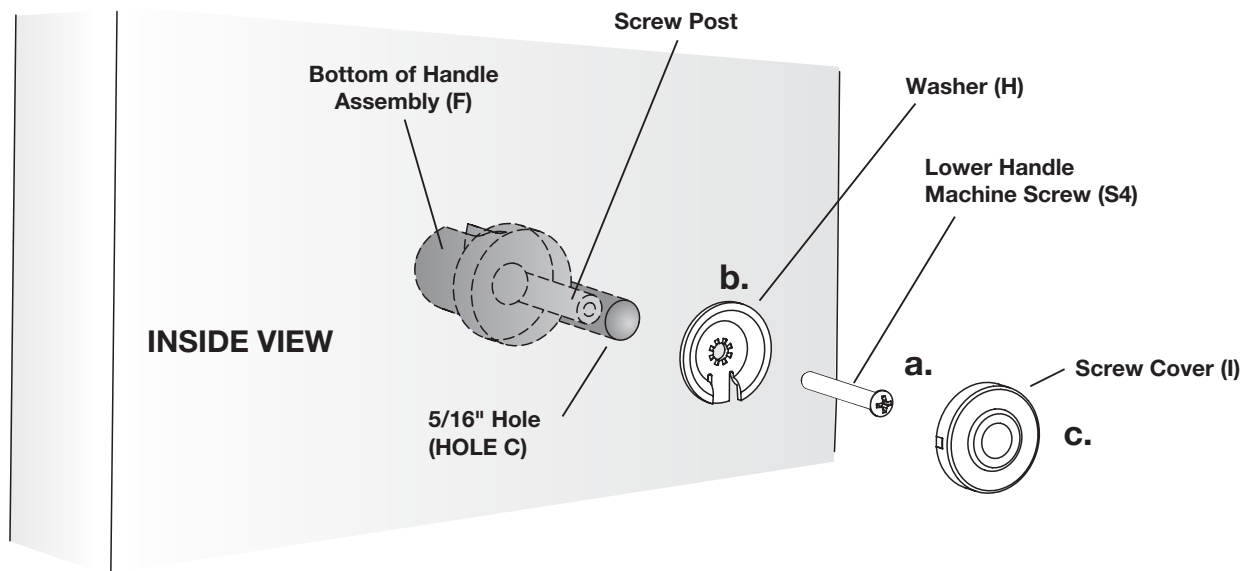
STEP 7 INSTALL HANDLE ASSEMBLY (CONTINUED)

- b.** Insert the Screw Post on the bottom of Handle Assembly (F) into the 5/16" Hole in the door. (Hole C on the template)
- c.** Align the Connector Plate of the Handle Assembly (F) with the Slot in the Spindle and carefully insert the Connector Plate into the Slot. Hold the Handle in place.
- d.** Using the Hex Wrench (T1), insert the (S6) Handle Pivot Bolt and Bushing (G) through the Bolt Hole in the Spindle from the side that has the large recess. This side always faces the latch.
- e.** The (S6) Handle Pivot Bolt will pass through the slot in the Connector Plate until it engages the threads in the opposite wall of the Spindle. Turn the Large Hex Bolt clockwise until the bolt is tightened firmly and is flush with the Spindle.



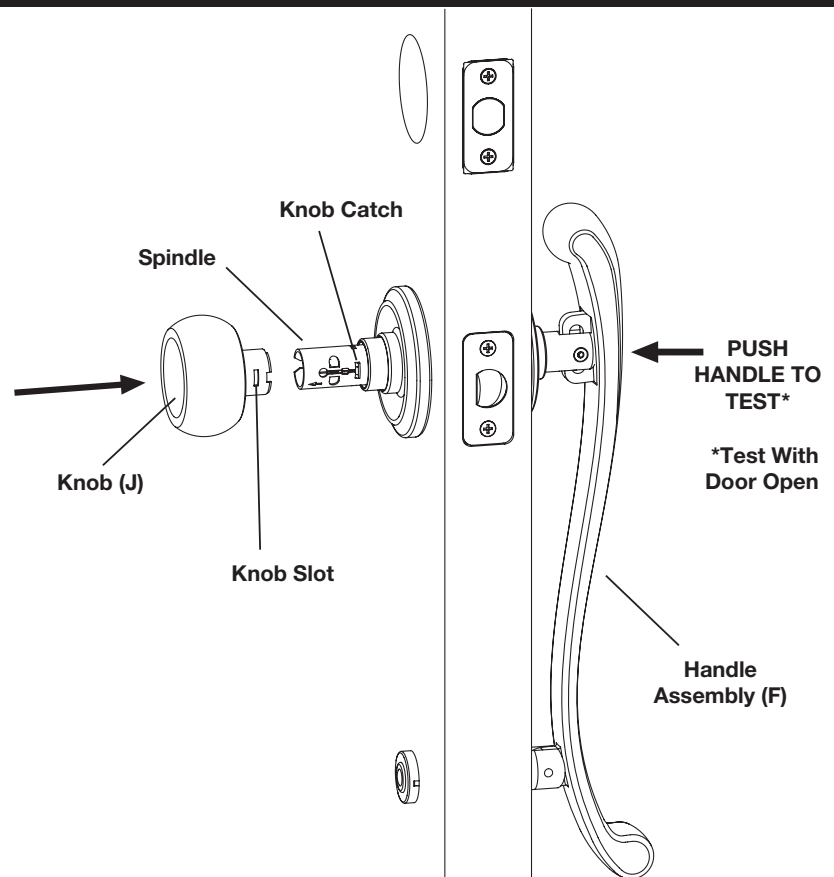
STEP 8 INSTALL (S4) LOWER HANDLE MACHINE SCREW

- Insert the (S4) Lower Handle Machine Screw through the hole in the "cup" side of the Washer (H).
- Insert the screw and washer into the 5/16" Hole (HOLE C) in the door and engage the threaded post of the Handle Assembly (F). Tighten firmly with a Phillips screwdriver.
- Snap Screw Cover (I) onto Washer (H).



STEP 9 INSTALL KNOB

- Push the Handle (F) and hold it in, exposing the Knob Catch on the inside Spindle.
- Align the Slot in the Knob (J) with the Catch and press the Knob onto the Spindle until it snaps into place.
- Push the Handle, pull the Knob and rotate the Knob in both directions to test the assembly. Test with door open.

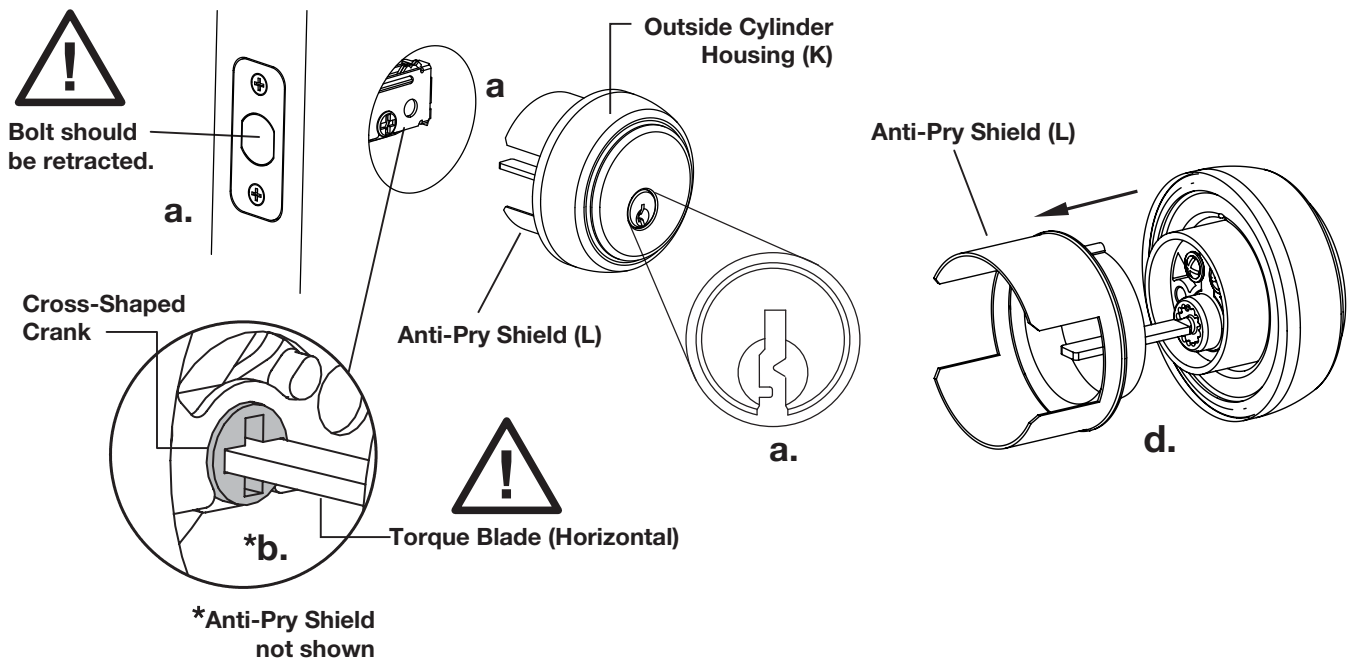
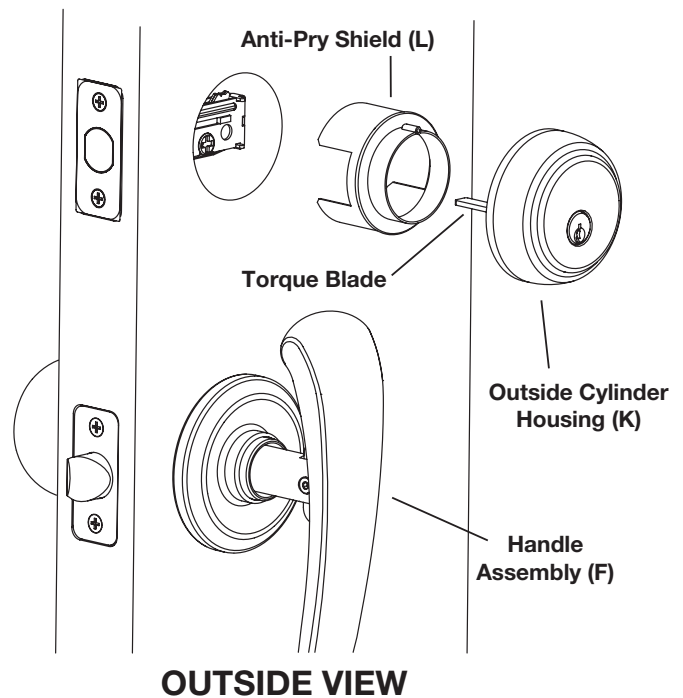


STEP 10 INSTALL ON OUTSIDE CYLINDER HOUSING



Note: It is important that the Torque Blade is inserted horizontally in the Cross-Shaped Crank of the Deadbolt Latch for proper timing.

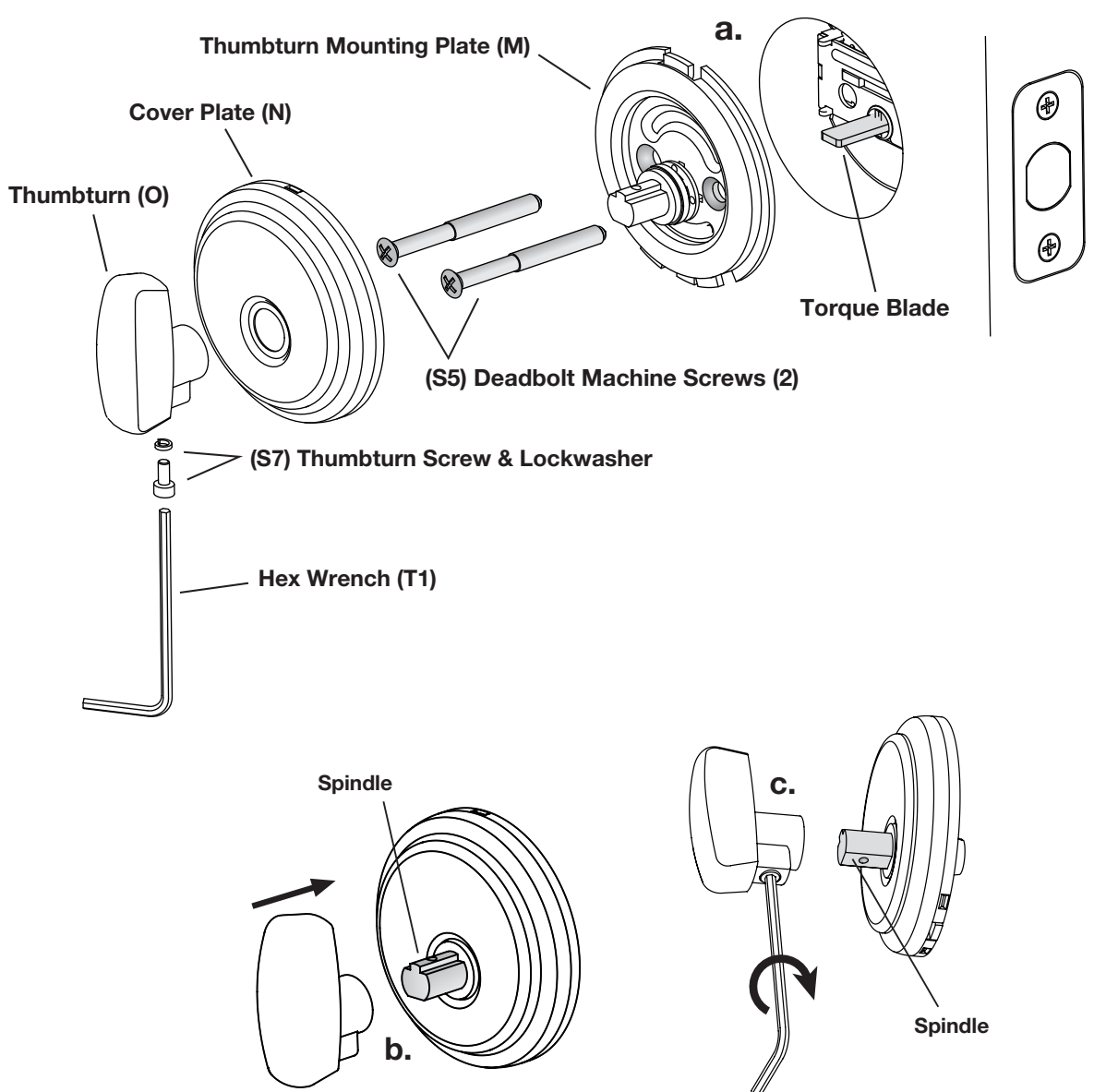
- a. Orient the Torque Blade of the Outside Cylinder Housing (K) in a **horizontal** position. Make sure that the bolt of the Deadbolt Latch (B) is retracted. Keyhole should be in the down position.
- b. Insert the Torque Blade through the "Cross" Shaped Crank of the Deadbolt Latch (B) and push the Outside Cylinder Housing (K) until it is flush with the door.
- c. If the existing hole in the door is less than 2-1/8" (54 mm) in diameter, the Anti-Pry Shield (L) may not fit. To utilize all of the security features of the Deadbolt, it is recommended to open the hole diameter and install the complete Outside Cylinder Assembly (K) with the Anti-Pry Shield (L).
- d. However, the Anti-Pry Shield (L) can be removed to accommodate a smaller hole in the door. Simply pull the Anti-Pry Shield (L) out of its groove in the Outside Cylinder Assembly.



NOTE: Removal of the Anti-Pry Shield (L) will not affect the function of the deadbolt, but it does reduce the strength and resistance to prying attacks. The Deadbolt will no longer meet ANSI Grade 2 standards.

STEP 11 INSTALL THUMBTURN ASSEMBLY

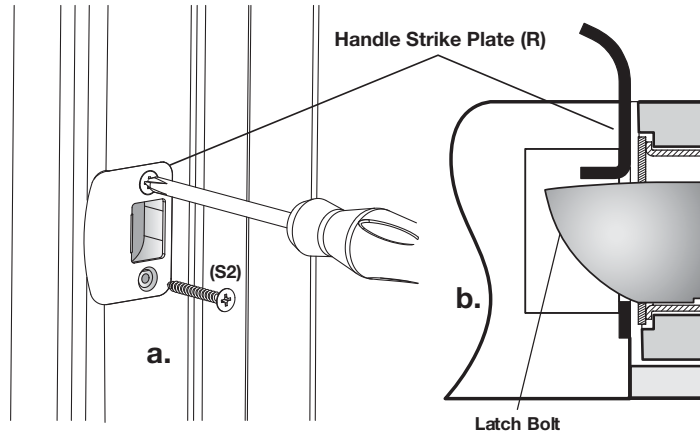
- a. Slide the Thumbturn Mounting Plate (M) onto the Torque Blade and push until it is flush against the door. Insert the two (S5) Machine Screws through the holes in the Thumbturn Mounting Plate (M), engaging the threaded holes in the Outside Cylinder Assembly and tighten firmly. Snap the Cover Plate (N) onto the Thumbturn Mounting Plate (M).
- b. Align the Thumbturn (O) with the Spindle. The shape of the Spindle allows the Thumbturn (O) to be assembled in only one orientation.
- c. Slide the Thumbturn (O) onto the Spindle, and tighten the (S7) Thumbturn Screw & Lockwasher using the Hex Wrench (T1). The Thumbturn Screw should engage the hole in the Spindle. Tighten firmly until the head of the screw is flush with the thumbturn.
- d. Test the installation by extending the bolt using the Thumbturn (O), and by retracting the bolt using your key in the Outside Cylinder Assembly.



STEP 12 INSTALL HANDLE & DEADBOLT STRIKE PLATES

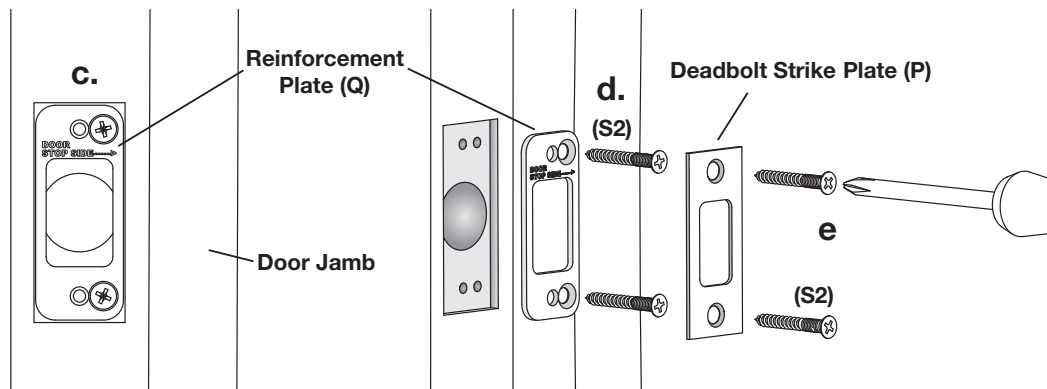
Install Handle Strike Plate (R)

- Secure the Handle Strike Plate (R) with two (S2) Strike Plate Screws. Tighten firmly.
- It is important for Push-Pull-Rotate Locks for the Latch Bolt to move freely in and out of the Handle Strike Plate (R).



Install Deadbolt Strike Plate (P) with Reinforcement Plate (Q)

- Place the Reinforcement Plate (Q) in the prepared area in the door jamb with the words "DOOR STOP SIDE---->" visible and pointing towards the door jamb. Make sure that the Reinforcement Plate (Q) is positioned to receive the bolt from the Deadbolt Latch when extended.
- Insert two (S2) Strike Plate Screws through the holes in the Reinforcement Plate (Q) and tighten firmly.
- Place the Deadbolt Strike Plate (P) over the Reinforcement Plate (Q) and insert two (S2) Strike Plate Screws through the holes in the Deadbolt Strike Plate (P). Tighten firmly.
- Close the door and test by extending the bolt using the Thumbturn. Make sure that the bolt can be inserted fully into the Deadbolt Strike Plate (P).



FULL LIFETIME WARRANTY - This product is fully warranted to be free of defects in material and workmanship for the life of the product. If a defect in material or workmanship occurs, call 800-562-5625 for instructions on how to have it replaced or repaired free of charge. This warranty is null and void if the product was used for purposes for which it was not designed, is abused, misused, modified or improperly installed, operated, maintained, and/or repaired. NOT LIABLE FOR INCIDENTAL, INDIRECT, OR CONSEQUENTIAL DAMAGES. Some states do not allow the exclusion or limitation of incidental or consequential damages, so the above limitation or exclusion may not apply to you. This warranty gives you specific rights, and you may also have other rights that vary from state to state.



999-00340E_EN

Brink's trademark & copyright works are used with permission.

Hampton Products International Corp.
50 Icon, Foothill Ranch, CA 92610-3000 USA
www.hamptonproducts.com 1-800-562-5625
www.brinksprr.com
©2015 Hampton Products International Corp.
999-00340E_EN_REVA 11/15