

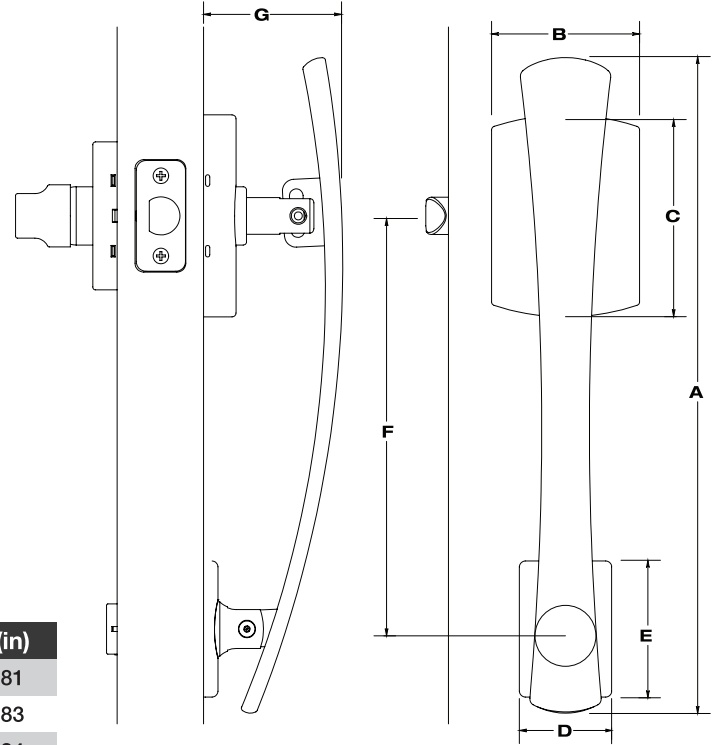
# Handlesets

## Specifications

<b>Handle</b>	
<b>Door Preparation:</b>	Cross bore 2 1/8", edge bore 1", latch mortise 1" x 2 1/4", bottom bore hole 5/16"
<b>Backset:</b>	2 3/8" or 2 3/4"
<b>Door Thickness:</b>	1 3/8" to 1 3/4"
<b>Chassis:</b>	Cylindrical, be sure to specify either lever chassis or knob chassis when ordering
<b>Latch:</b>	Spring
<b>Bolt:</b>	1/2" Throw
<b>Faceplate:</b>	2 1/4" Round corner, drive-in available
<b>Strikes:</b>	2 1/4" Full lip
<b>Door Handing:</b>	Reversible
<b>Door Swing:</b>	In-swinging only

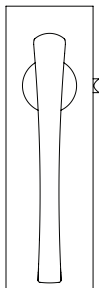
Style	A(in)	B(in)	C(in)	D(in)	E(in)	F(in)	G(in)
Anderson	13.30	3.00	4.09	1.87	2.76	8.38	2.81
Rhodes	13.20	2.95	2.95	NA	NA	8.38	2.83
Rourke	13.60	2.95	2.95	NA	NA	8.38	2.84

## Dimensions



Finishes	Polished Brass (105)	Satin Nickel (119)	Polished Chrome (125)	Tuscan Bronze® (150)
Anderson		•	•	•
Rhodes		•	•	•
Rourke	•	•		•

## Functions



Handleset



Polished Chrome Anderson



Satin Nickel Rourke



Tuscan Bronze® Rhodes



Polished Brass Rourke

## Finishes